



# Parts Manual

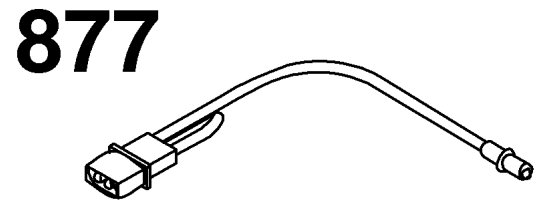
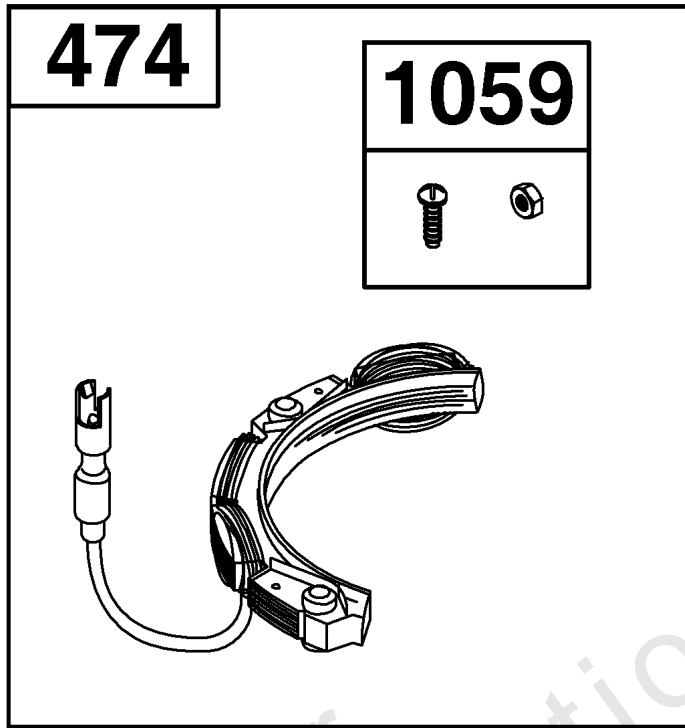
Mfg. No: 21R777-0135-B1



---

<b>Model Components</b>	<b>Page</b>
Alternator Group.....	4
Blower Housing and Air Cleaner Group.....	6
Carburetor and Fuel Supply Group.....	8
Controls Group.....	10
Crankcase Cover/Sump and Lubrication Group.....	12
Crankshaft Group.....	14
Cylinder Group.....	16
Cylinder Head Group.....	18
Flywheel, Ignition, and Starter Group.....	20

Not For  
Reproduction

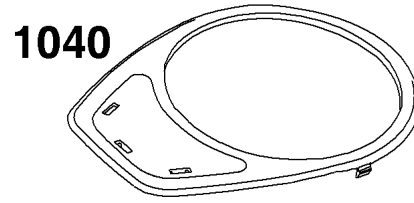


Not For  
Reproduction

## Alternator Group

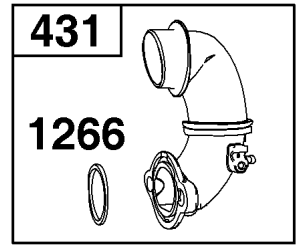
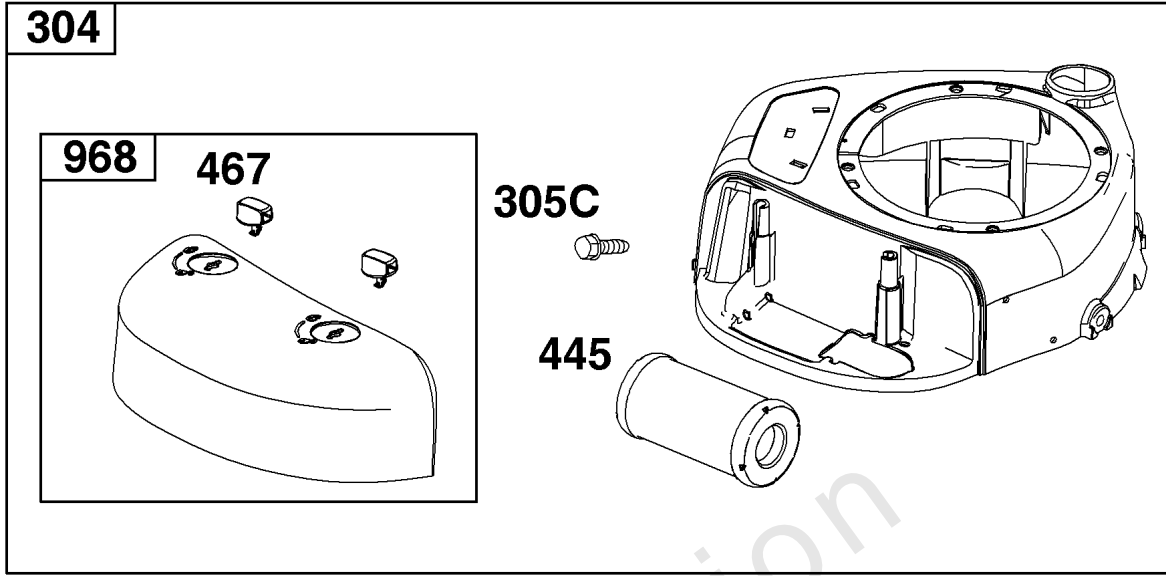
REF NO	PART NO	QTY	DESCRIPTION
474	592828	1	ALTERNATOR
877	790544	1	WIRE/CONNECTOR, Alternator
1059	698516	1	KIT, Screw/Washer
1119	691183	2	SCREW -(Alternator)

Not For Reproduction



1319   
1319A

1036 

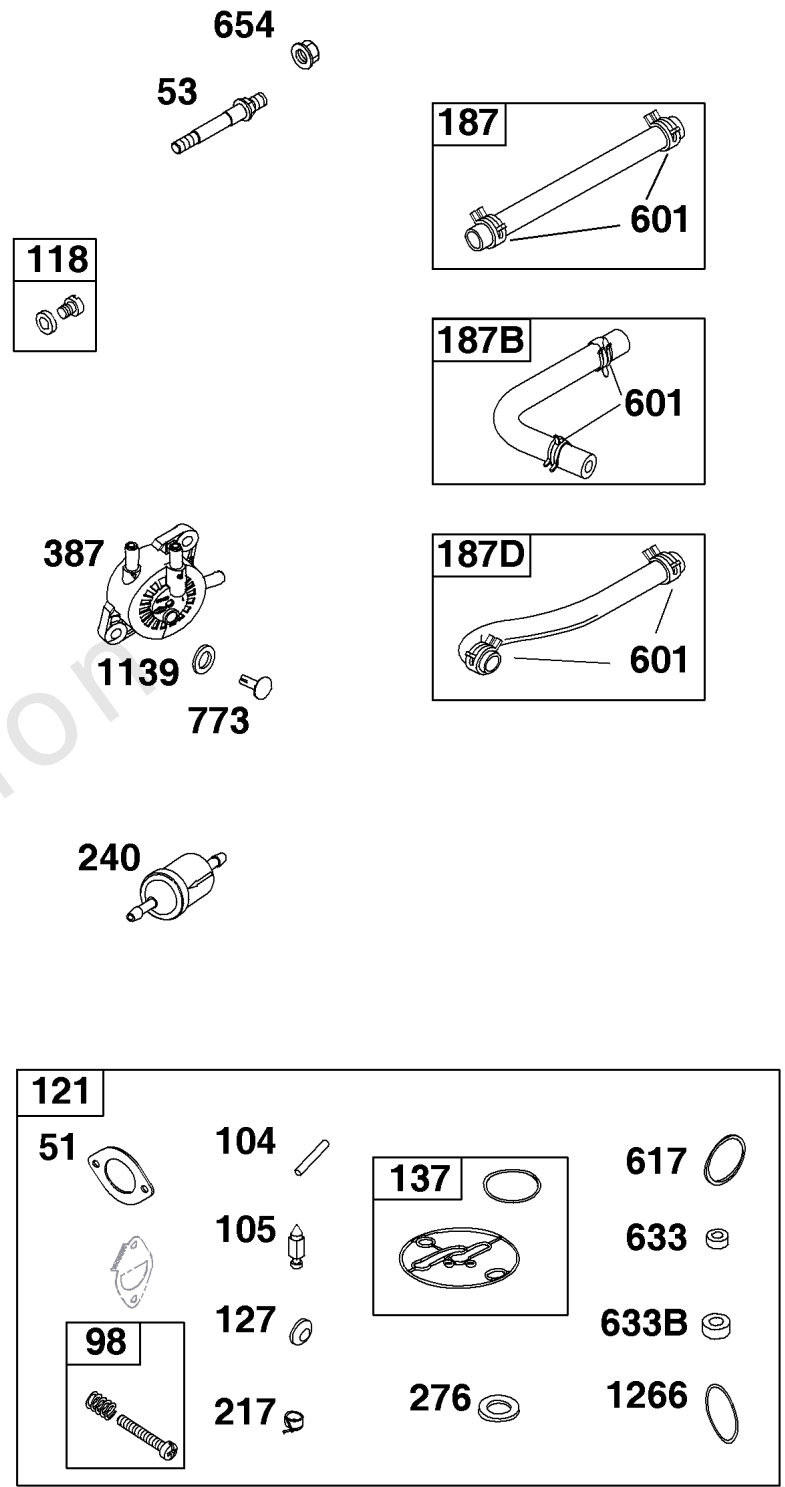
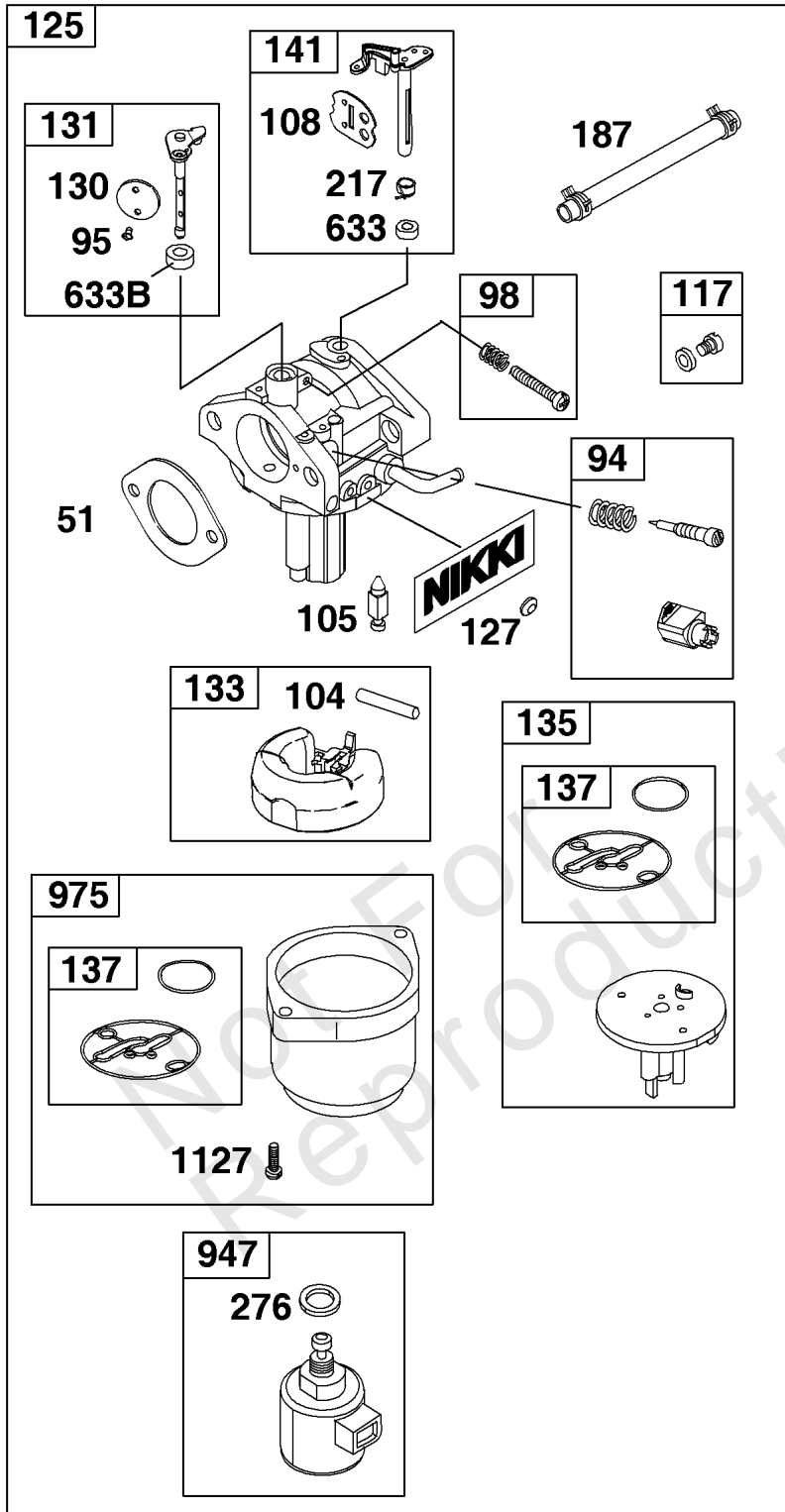


305  305B  964 

Not For  
Reproduction

## ***Blower Housing and Air Cleaner Group***

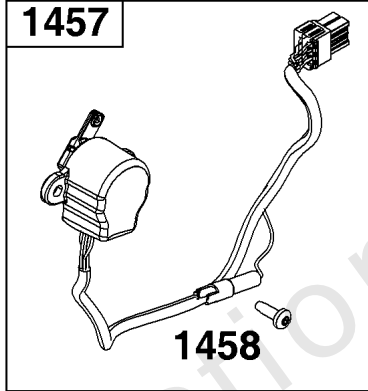
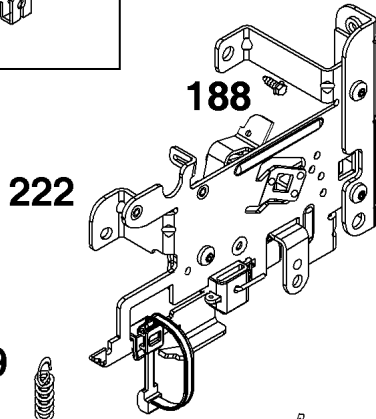
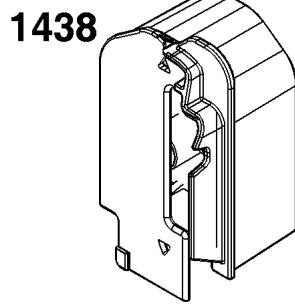
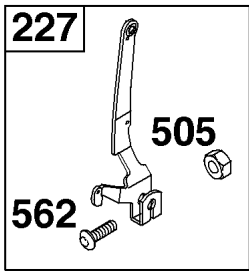
<b>REF NO</b>	<b>PART NO</b>	<b>QTY</b>	<b>DESCRIPTION</b>
304	591641	1	HOUSING, Blower
305	596718	2	SCREW -(Blower Housing)
305B	795891	1	SCREW -(Blower Housing)
305C	799370	2	SCREW -(Blower Housing)
431	797901	1	ELBOW, Intake
445	591583	1	FILTER, A/C Cartridge
467	597244	2	KNOB, Air Cleaner Cover
964	799159	1	CAP, Connector
968	591646	1	COVER, Air Cleaner
1036	-----	1	LABEL, Emissions -(Available from a Briggs & Stratton Authorized Dealer)
1040	697381	1	PLATE, Trim
1266	691917	1	SEAL, O-Ring -(Intake Elbow)
1319	794467	1	LABEL, Warning -(REQUIRED When Replacing Parts With Warning Labels Affixed)
1319A	797669	1	LABEL, Warning -(REQUIRED When Replacing Parts With Warning Labels Affixed)





## Carburetor and Fuel Supply Group

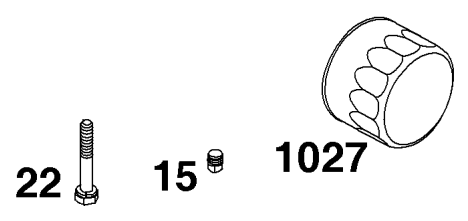
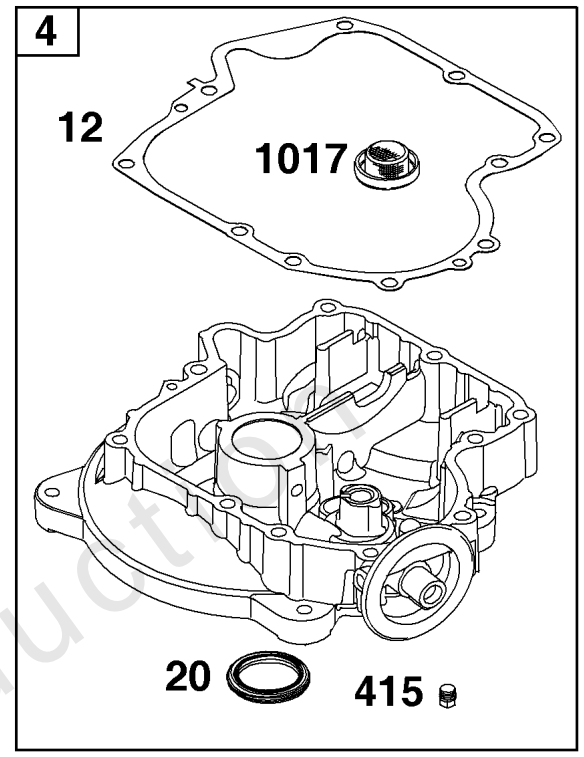
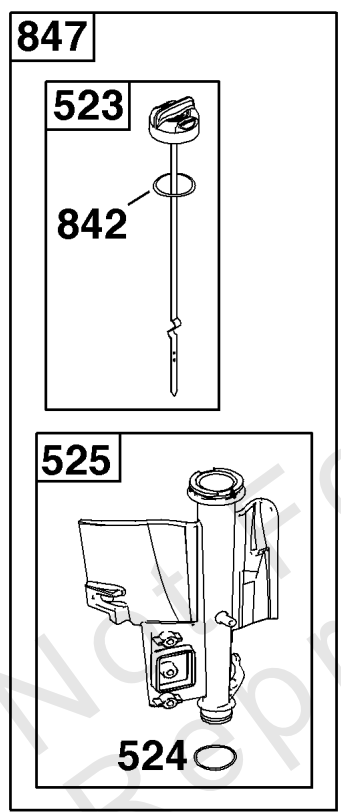
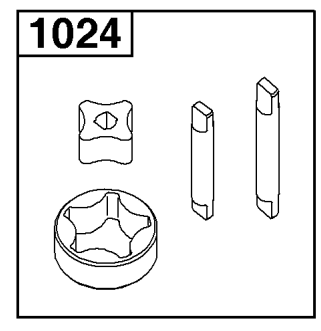
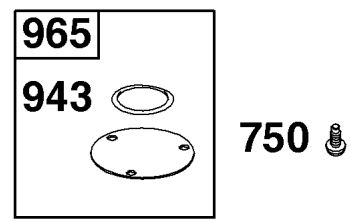
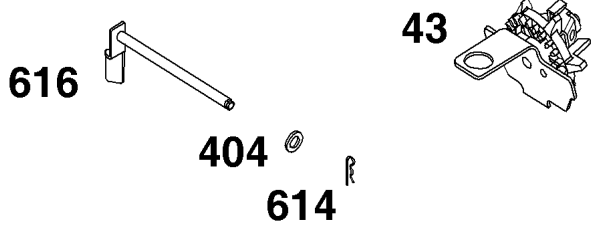
REF NO	PART NO	QTY	DESCRIPTION
51	-----	1	GASKET, Intake -(Part information located in Cylinder Head Group.)
53	591260	2	STUD -(Carburetor)
94	793610	1	KIT, Idle Mixture
95	690718	2	SCREW
98	695408	1	KIT, Idle Speed
104	694918	1	PIN, Float Hinge
105	696136	1	VALVE, Float Needle
108	698773	1	VALVE, Choke
117	791405	1	JET, Main
118	698788	1	JET, Main -(High Altitude)
121	796184		KIT, Carburetor Overhaul -(Service Kits may include extra parts not specific to this engine.)
125	593433	1	CARBURETOR
127	690727	1	PLUG, Welch
130	698774	1	VALVE, Throttle
131	698776	1	KIT, Throttle Shaft
133	694914	1	FLOAT, Carburetor
135	796400	1	TUBE, Fuel Transfer
137	698781	1	GASKET, Float Bowl
141	698778	1	KIT, Choke Shaft
187	791766	1	LINE, Fuel
187B	597201	1	LINE, Fuel
187D	791744	1	LINE, Fuel
217	695409	1	SPRING, Choke Return
240	84001895	1	FILTER, Fuel
276	695410	1	WASHER, Sealing
387	808656	1	PUMP, Fuel
601	791850	2	CLAMP, Hose
617	-----	1	SEAL, O-Ring -(Part information located in Cylinder Head Group.)
633	699813	1	SEAL, Choke/Throttle Shaft
633B	690998	1	SEAL, Choke/Throttle Shaft
654	690958	2	NUT -(Carburetor)
773	796448	2	RETAINER
947	596038	1	SOLENOID, Fuel
975	699502	1	BOWL, Float
1127	695407	2	SCREW -(Float Bowl)
1139	796449	2	WASHER
1266	-----	1	SEAL, O-Ring -(Part information located in Blower Housing and Air Cleaner Group.)



Not For  
Reproduction

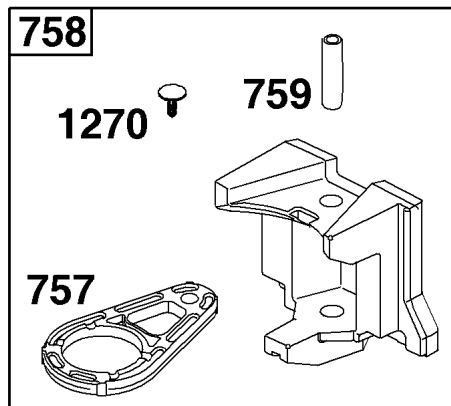
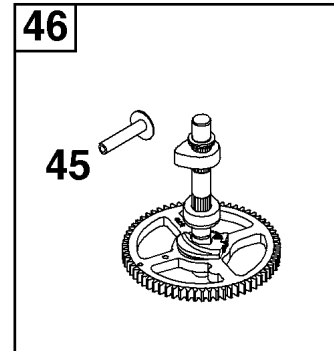
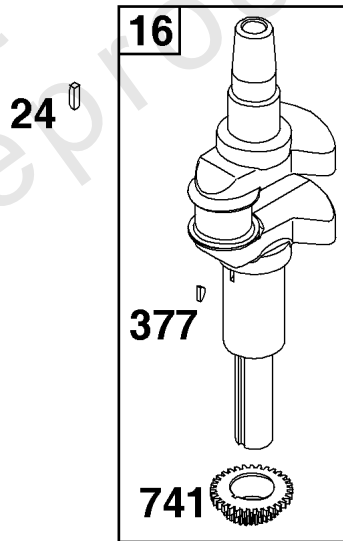
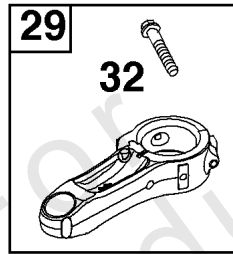
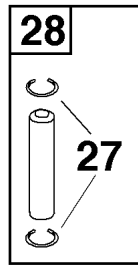
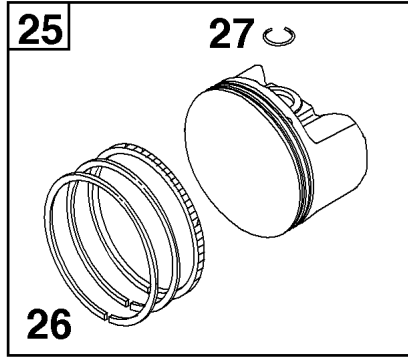
## Controls Group

REF NO	PART NO	QTY	DESCRIPTION
188	699891	3	SCREW -(Control Bracket)
202	691841	1	LINK, Mechanical Governor
209	796260	1	SPRING, Governor
216	597205	1	LINK, Choke
222	597209	1	BRACKET, Control
227	691374	1	LEVER, Governor Control
232	691842	1	SPRING, Governor Link
265	691024	1	CLAMP, Casing
267	794904	1	SCREW -(Casing Clamp)
318	792629	2	SCREW -(Mounting Bracket)
505	691251	1	NUT -(Governor Control Lever)
562	691119	1	BOLT -(Governor Control Lever)
789	597204	1	HARNESS, Wiring
1438	597202	1	MODULE, Electronic Choke
1457	597208	1	MOTOR, Stepper
1458	699891	2	SCREW -(Stepper Motor)



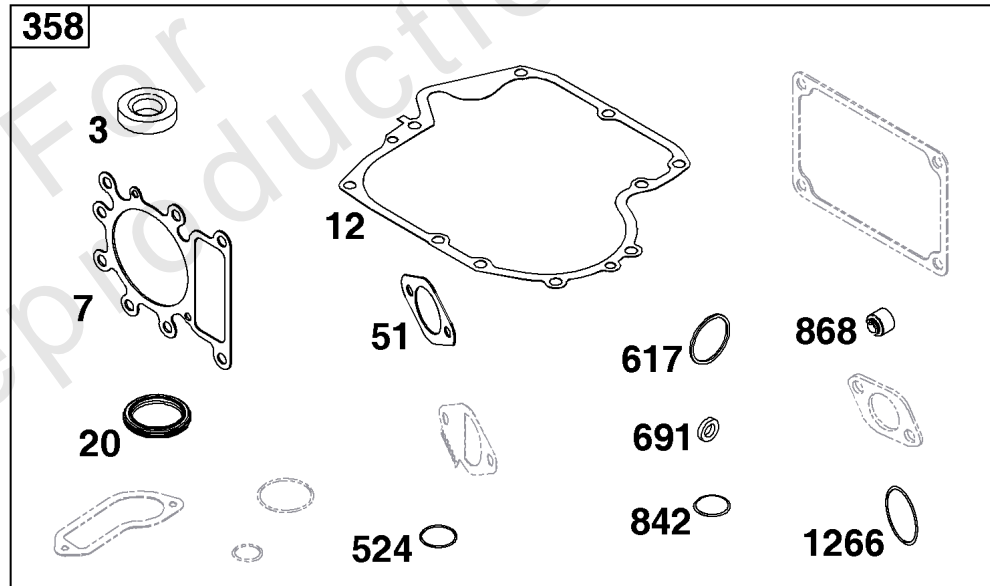
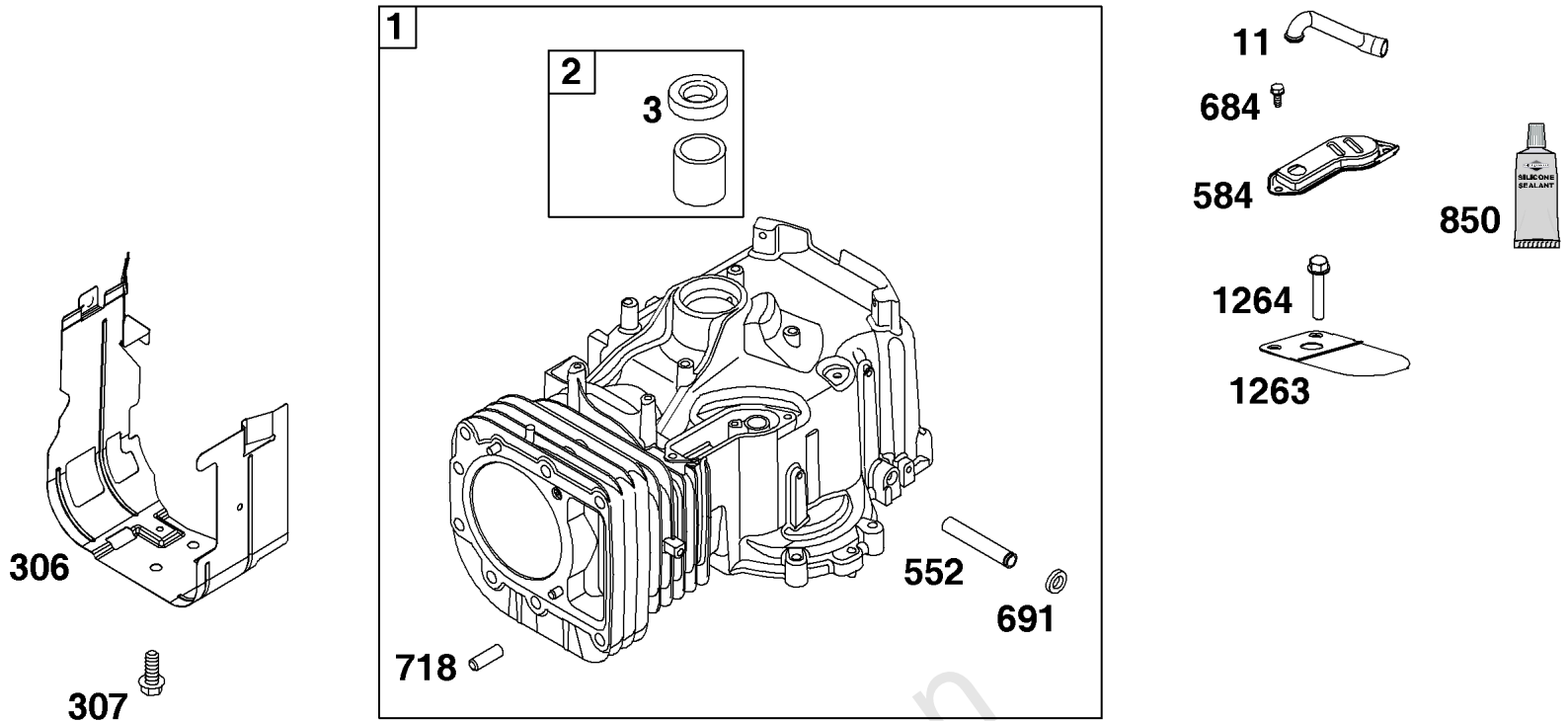
## ***Crankcase Cover/Sump and Lubrication Group***

<b>REF NO</b>	<b>PART NO</b>	<b>QTY</b>	<b>DESCRIPTION</b>
4	592849	1	SUMP, Engine
12	697110	1	GASKET, Crankcase
15	690946	1	PLUG, Oil Drain
20	795387	1	SEAL, Oil -(PTO Side)
22	692125	10	SCREW -(Crankcase Cover/Sump)
43	691968	1	SLINGER, Governor/Oil
404	691691	2	WASHER -(Governor Crank)
415	794903	1	PLUG
523	699908	1	DIPSTICK
524	691032	1	SEAL, O-Ring -(Dipstick Tube)
525	697085	1	TUBE, Dipstick
614	691620	1	PIN, Cotter -#N/A
616	692012	1	CRANK, Governor
750	790832	3	SCREW -(Oil Pump Cover)
842	691031	1	SEAL, O-Ring -(Dipstick Cap)
847	790443	1	DIPSTICK/TUBE ASSEMBLY
850	100106	1	SEALANT, Liquid
943	690589	1	SEAL, O-Ring -(Oil Pump Cover)
965	499613	1	COVER, Oil Pump
1017	796981	1	SCREEN, Oil Pump
1024	794644	1	SHAFT, Pump
1027	492932S	1	FILTER, Oil



## Crankshaft Group

REF NO	PART NO	QTY	DESCRIPTION
16	84002063	1	CRANKSHAFT
24	591757	1	KEY, Flywheel
25	597230	1	PISTON ASSEMBLY
25	595054	1	PISTON ASSEMBLY -(.020 Oversize)
26	797011	1	SET, Ring
26	792643	1	SET, Ring -(.020 Oversize)
27	698469	1	LOCK, Piston Pin
28	84002062	1	PIN, Piston
29	791633	1	ROD, Connecting
32	791118	2	SCREW -(Connecting Rod)
45	-----	2	TAPPET, Valve -(Part information located in Cylinder Head Group.)
46	793880	1	CAMSHAFT
377	691639	1	KEY, Timing
741	697128	1	GEAR, Timing
757	793242	2	LINK, Counterweight
758	593418	1	COUNTERWEIGHT
759	697392	2	PIN, Counterweight
1270	793243	1	PLUG, AVS Counterweight



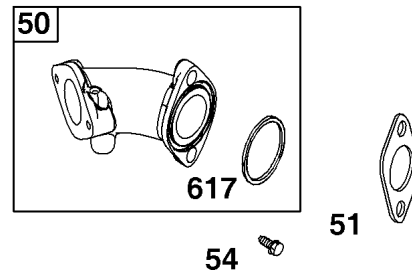
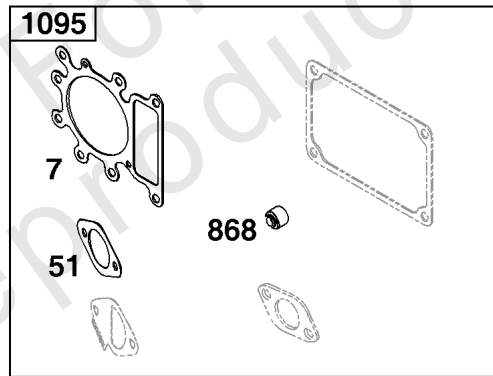
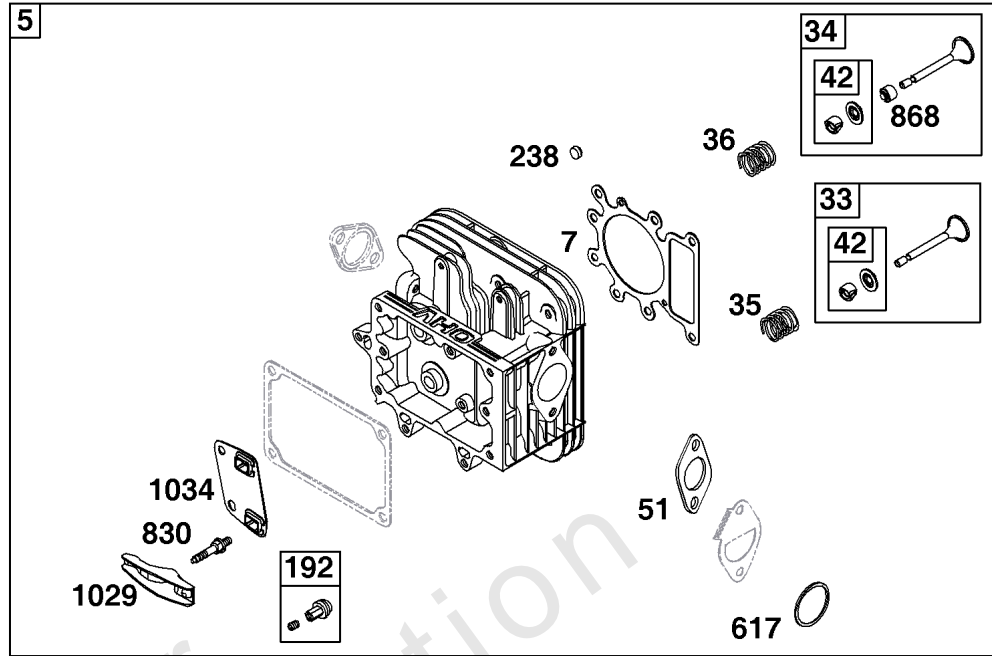


## Cylinder Group

REF NO	PART NO	QTY	DESCRIPTION
1	697377	1	CYLINDER ASSEMBLY
2	797673	1	KIT, Bushing/Seal -(Magneto Side)
3	391086S	1	SEAL, Oil -(Magneto Side)
7	-----	1	GASKET, Cylinder Head -(Part information located in Cylinder Head Group.)
11	794683	1	TUBE, Breather
12	-----	1	GASKET, Crankcase -(Part information located in Crankcase Cover/Sump and Lubrication Group.)
20	-----	1	SEAL, Oil -(Part information located in Crankcase Cover/Sump and Lubrication Group.)
51	-----	1	GASKET, Intake -(Part information located in Cylinder Head Group.)
306	592778	1	SHIELD, Cylinder
307	691693	6	SCREW -(Cylinder Shield)
358	796181	1	GASKET SET, Engine -(Service Kits may include extra parts not specific to this engine.)
524	-----	1	SEAL, O-Ring -(Part information located in Crankcase Cover/Sump and Lubrication Group.)
552	697144	1	BUSHING, Governor Crank
584	794682	1	COVER, Breather Passage
617	-----	1	SEAL, O-Ring -(Part information located in Cylinder Head Group.)
684	697157	2	SCREW -(Breather Passage Cover)
691	692407	1	SEAL, Governor Shaft
718	690959	2	PIN, Locating
842	-----	1	SEAL, O-Ring -(Part information located in Crankcase Cover/Sump and Lubrication Group.)
850	-----	1	SEALANT, Liquid -(Part information located in Crankcase Cover/Sump and Lubrication Group.)
868	-----	1	SEAL, Valve -(Part information located in Cylinder Head Group.)
1263	697124	1	REED, Breather
1264	697104	1	SCREW -(Breather Reed)
1266	-----	1	SEAL, O-Ring -(Part information located in Blower Housing and Air Cleaner Group.)

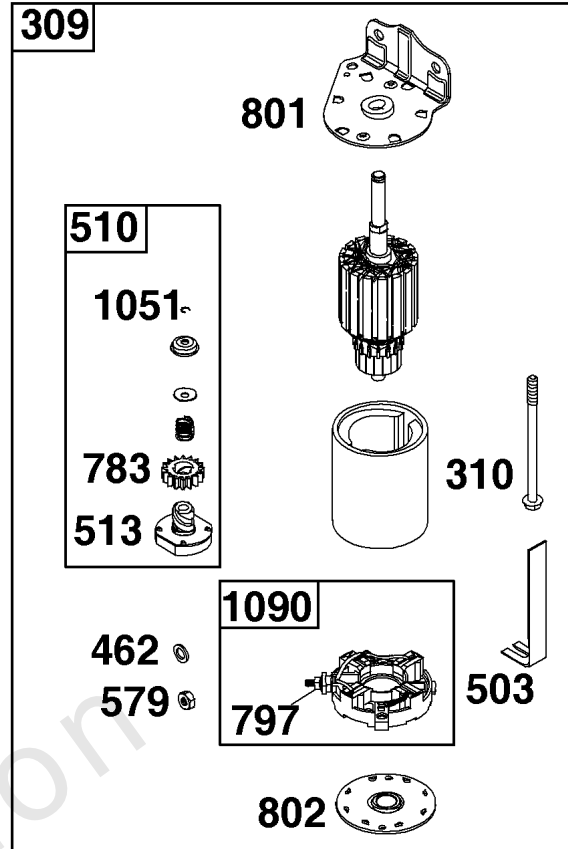
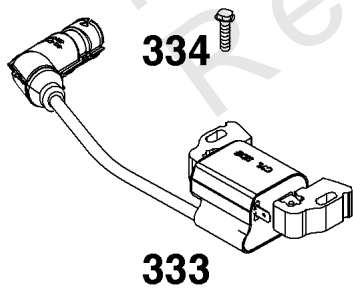
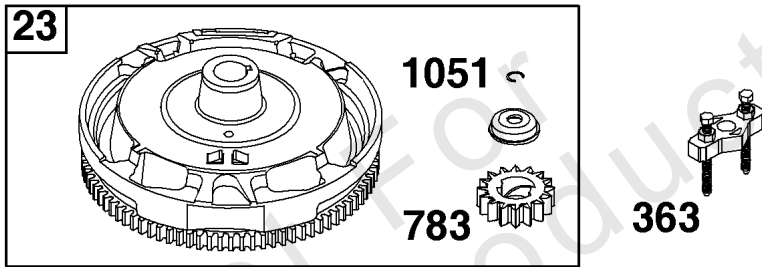
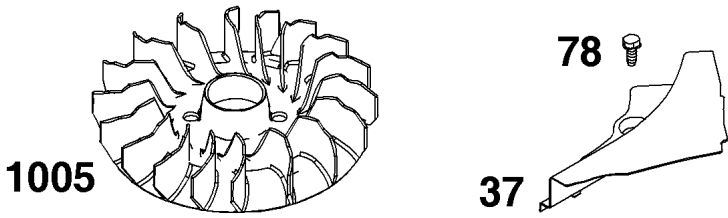
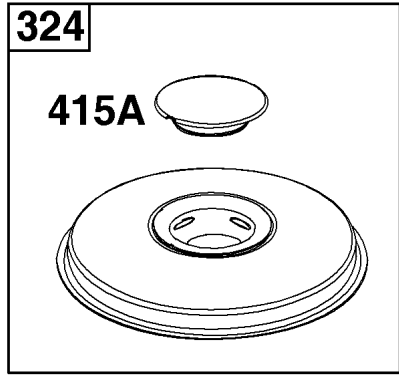
45



1026



## Cylinder Head Group

REF NO	PART NO	QTY	DESCRIPTION
5	796183	1	HEAD, Cylinder
7	273280S	1	GASKET, Cylinder Head
13	84001963	8	SCREW -(Cylinder Head)
33	792868	1	VALVE, Exhaust
34	791935	1	VALVE, Intake
35	691279	1	SPRING, Valve -(Intake)
36	691279	1	SPRING, Valve -(Exhaust)
42	499586	2	KEEPER, Valve
45	690564	2	TAPPET, Valve
50	592845	1	MANIFOLD, Intake
51	692137	1	GASKET, Intake
54	691148	2	SCREW -(Intake Manifold)
192	691986	2	ADJUSTER, Rocker Arm
238	691843	2	CAP, Valve
337	555737	1	PLUG, Spark
383	19576S		WRENCH, Spark Plug
617	692138	1	SEAL, O-Ring -(Intake Manifold)
830	691095	2	STUD, Rocker Arm
850	-----	1	SEALANT, Liquid -(Part information located in Crankcase Cover/Sump and Lubrication Group.)
868	690968	1	SEAL, Valve
914	691108	4	SCREW -(Rocker Cover)
1023	797421	1	COVER, Rocker
1026	697394	1	ROD, Push -(Intake)
1026	794573	1	ROD, Push -(Exhaust)
1029	691751	2	ARM, Rocker
1034	690822	1	GUIDE, Push Rod
1095	796189	1	GASKET SET, Valve -(Service Kits may include extra parts not specific to this engine.)



729A   
697 

## *Flywheel, Ignition, and Starter Group*

REF NO	PART NO	QTY	DESCRIPTION
23	591759	1	FLYWHEEL
37	697352	1	GUARD, Flywheel
78	691693	1	SCREW
309	593934	1	MOTOR, Starter
310	690323	2	BOLT -(Starter Motor)
324	593933	1	SCREEN/CUP ASSEMBLY
333	595304	1	ARMATURE, Magneto
334	691061	2	SCREW -(Magneto Armature)
363	19203	1	PULLER, Flywheel
415A	794129	1	PLUG
462	691261	2	WASHER -(Starter Cable)
503	691532		STRAP, Starter
510	693699	1	DRIVE, Starter
513	692024	1	CLUTCH, Drive
579	691029	1	NUT -(Starter Cable)
697	791680	2	SCREW
729A	691224	1	CLIP, Wire
783	593935	1	GEAR, Pinion
797	693167	1	NUT -(Brush Retainer)
801	691283	1	CAP, Drive
802	691286	1	CAP, End
1005	796200	1	FAN, Flywheel
1044	698139	1	SCREW -(Flywheel)
1051	691265	1	RING, Retaining
1090	691293	1	RETAINER, Brush

