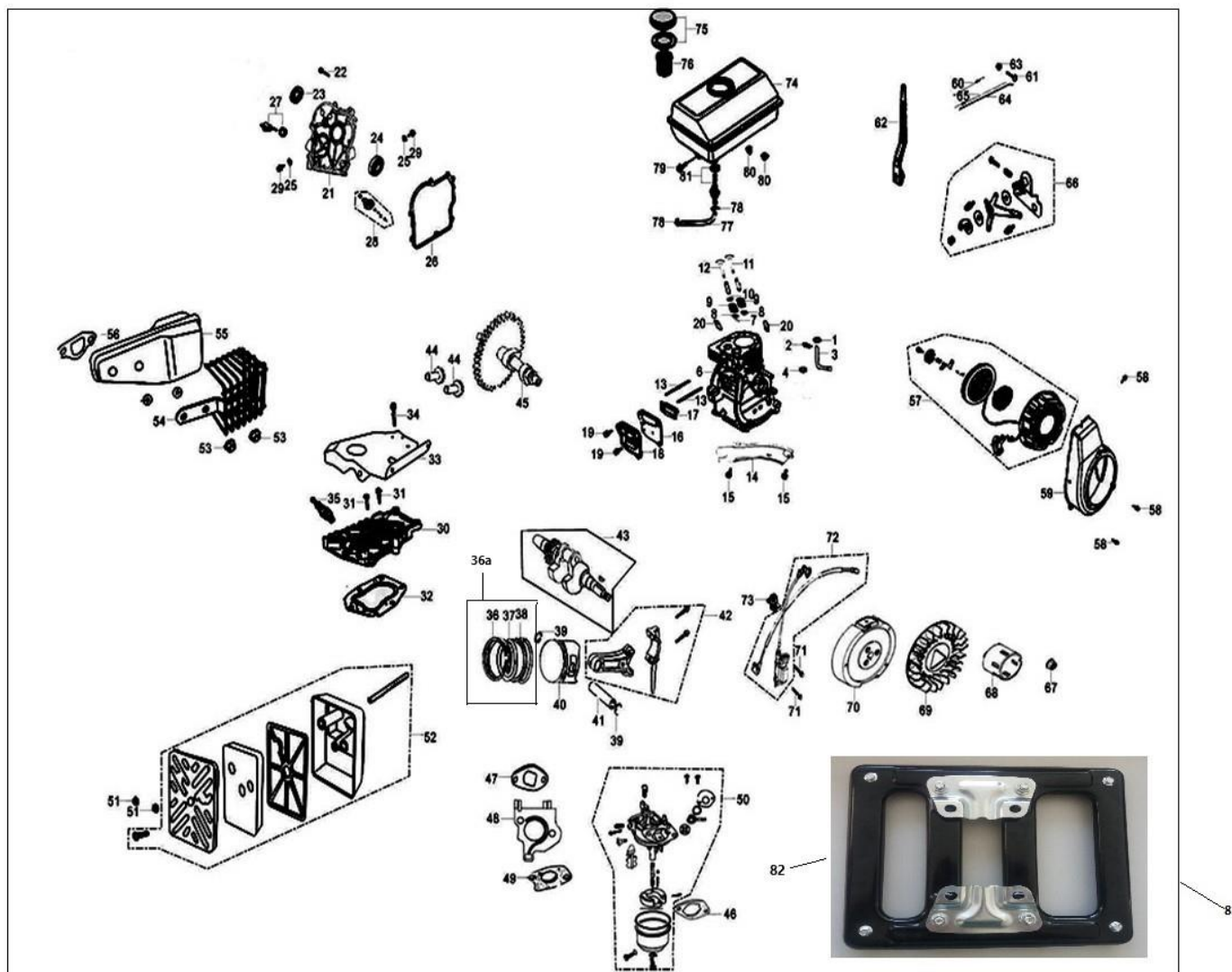


Documentatie tehnica motopompa RURIS MP40



Nr. crt	Denumire produs	Product name	Cod comanda
1	saiba	washer	psmp40-1-1
2	siguranta	pin	psmp40-1-2
3	ax regulator	arm governor	psmp40-1-3
4	simering 17x30x6	oil seal 17x30x6	psmp40-1-4
5	rulment	bearing	psmp40-1-5
6	bloc motor	crankcase	psmp40-1-6

Producător motoutilaje

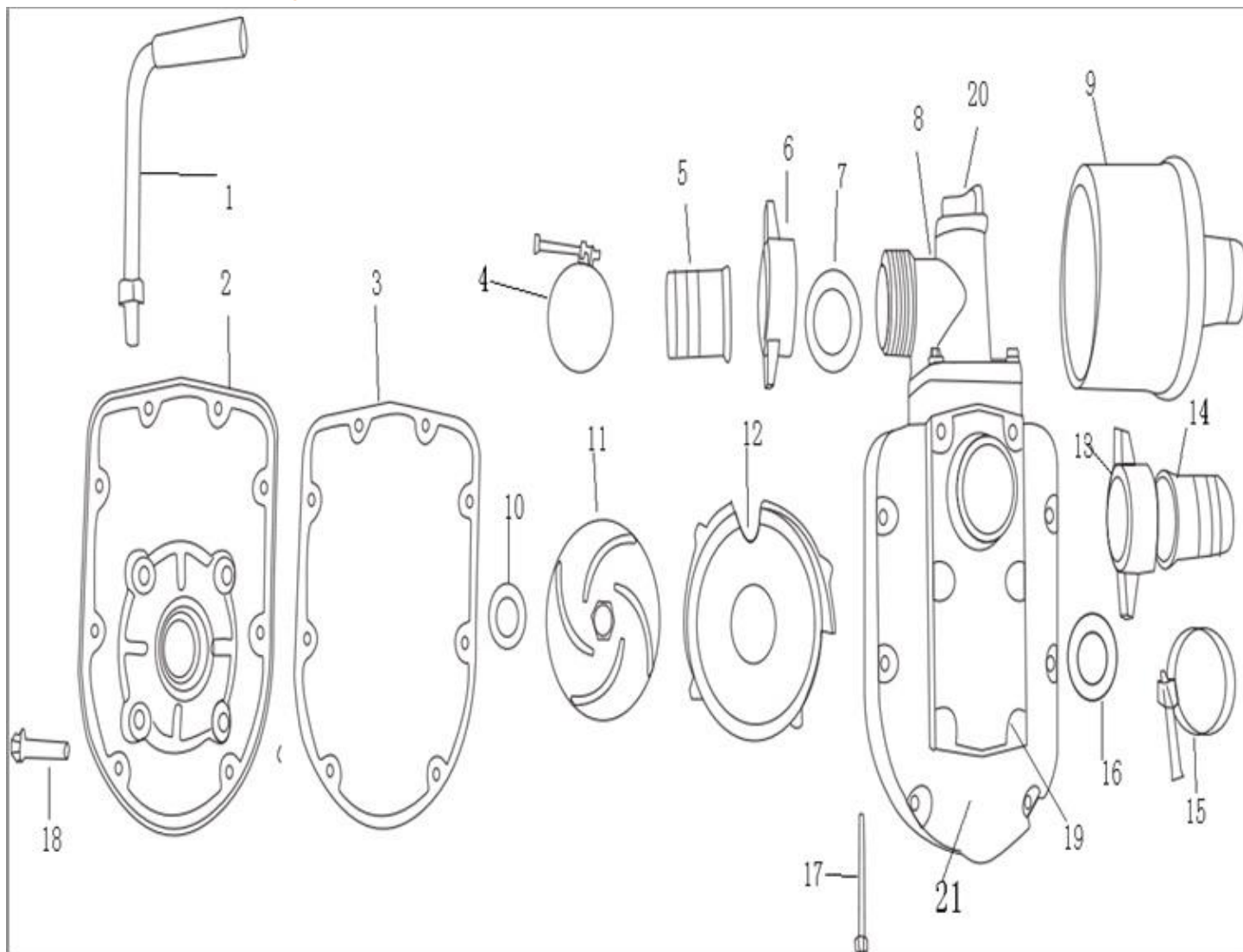
Documentatie tehnică

7	pastila supapa	rotator valve	psmp40-1-7
8	taler supapa	seat valve spring	psmp40-1-8
9	arc supapa	valve spring	psmp40-1-9
10	simering supapa	guide seal	psmp40-1-10
11	supapa admisie	valve intake	psmp40-1-11
12	supapa evacuare	valve exhaust	psmp40-1-12
13	prezon	stud	psmp40-1-13
14	deflector	deflector	psmp40-1-14
15	surub	bolt	psmp40-1-15
16	garnitura capac culbutori	gasket cover head	psmp40-1-16
18	capac culbutori	cover comp head	psmp40-1-18
19	surub	bolt	psmp40-1-19
20	culbutori	arm valve rocker	psmp40-1-20
21	capac carter	cover	psmp40-1-21
22	surub	bolt	psmp40-1-22
23	simering	oil seal	psmp40-1-23
24	rulment	bearing	psmp40-1-24
25	saiba	washer	psmp40-1-25
26	garnitura carter	gasket case cover	psmp40-1-26
27	joja	oil stock	psmp40-1-27
28	regulator	governor	psmp40-1-28
29	surub drenaj ulei	bolt drain plug	psmp40-1-29
30	chiuloasa	head comp cylinder	psmp40-1-30
31	surub	bolt	psmp40-1-31
32	garnitura chiuloasa	gasket cylinder	psmp40-1-32
33	protectie	protection	psmp40-1-33
34	surub	bolt	psmp40-1-34
35	bujie	plug spark	psmp40-1-35
36	segment de ardere	combustion segment	psmp40-1-36
36a	set segmenti	piston ring set	psmp40-1-36a
37	segment de radere	shaving segment	psmp40-1-37
38	segment de ungere	lubrication segment	psmp40-1-38
39	siguranta bolt	clip piston pin	psmp40-1-39
40	piston	piston	psmp40-1-40
41	bolt piston	pin piston	psmp40-1-41
42	ansamblu biela	connecting rod	psmp40-1-42
43	arbore motor	crankshaft	psmp40-1-43
44	tachet	lefter valve	psmp40-1-44
45	ax came	camshaft	psmp40-1-45
46	garnitura	gasket	psmp40-1-46

Producător motoutilaje

Documentatie tehnică

47	garnitura	gasket	psmp40-1-47
48	izolator	insulator	psmp40-1-48
49	garnitura	gasket	psmp40-1-49
50	carburator	carburetor	psmp40-1-50
51	piulita	nut	psmp40-1-51
52	ansamblu filtru aer	air filter assy	psmp40-1-52
53	piulita	nut	psmp40-1-53
54	protectie toba esapament	protector muffler	psmp40-1-54
55	toba esapament	muffler	psmp40-1-55
56	garnitura toba esapament	gasket muffler	psmp40-1-56
57	demaror	starter	psmp40-1-57
58	surub	bolt	psmp40-1-58
59	carcasa ventilator	cover comp fan	psmp40-1-59
60	arc	spring	psmp40-1-60
61	surub	bolt	psmp40-1-61
62	brat regulator	shaft governor arm	psmp40-1-62
63	piulita	nut	psmp40-1-63
64	tija	rod	psmp40-1-64
65	arc	spring	psmp40-1-65
66	ansamblu acceleratie	control assy	psmp40-1-66
67	piulita	nut	psmp40-1-67
68	cuplaj	pulley starter	psmp40-1-68
69	ventilator	fan cooling	psmp40-1-69
70	volanta	flywheel	psmp40-1-70
71	surub	bolt	psmp40-1-71
72	modul de aprindere	coil ignition	psmp40-1-72
73	clema	clip	psmp40-1-73
74	rezervor combustibil	fuel tank	psmp40-1-74
75	buson rezervor	cap fuel filter	psmp40-1-75
76	sita	filter fuel	psmp40-1-76
77	furtun	tube fuel	psmp40-1-77
78	clema	clip	psmp40-1-78
79	surub	bolt	psmp40-1-79
80	piulita	nut	psmp40-1-80
81	motor	engine	psmp40-1-81
82	cadru	frame	psmp40-1-82



Nr.crt	Denumire produs	Product name	Cod comanda
1	maner	handle	psmp40-2-1
2	carcasa pompa	housing	psmp40-2-2
3	garnitura pompa	pump gasket	psmp40-2-3
4	colier	clamp ring	psmp40-2-4
5	tub racord	water outlet	psmp40-2-5
6	piulita racord	flange	psmp40-2-6
7	garnitura	gasket	psmp40-2-7
8	cap refulare	water-out tube	psmp40-2-8
9	sorb	filter tottom valve	psmp40-2-9
10	etansare mecanica	water seal	psmp40-2-10
11	turbina	impeller	psmp40-2-11
12	carcasa turbina	impeller cover	psmp40-2-12

Producător motoutilaje

Documentatie tehnică

13	piulita racord	flange	psmp40-2-13
14	tub racord	water outlet	psmp40-2-14
15	colier	clamp ring	psmp40-2-15
16	garnitura	gasket	psmp40-2-16
17	surub	bolt	psmp40-2-17
18	surub	bolt	psmp40-2-18
19	cap absortie	water inlet	psmp40-2-19
20	buson	cap	psmp40-2-20
21	capac pompa	pump cover	psmp40-2-21